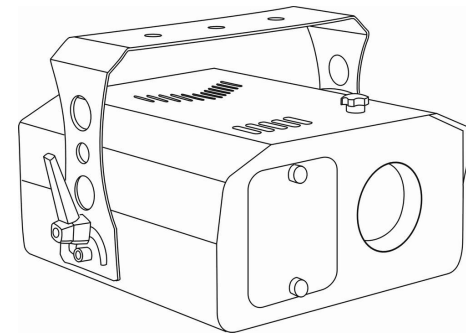


*Magic* <sup>★ ★ ★ ★</sup> *Gobo* <sup>Magic D Series</sup>

DMX • LINKABLE • AUTOMATIC LUMINAIRE

*Shaking*



# User Guide

Please read these instructions carefully before use

## **EC Declaration of Conformity**

We declare that our products (lighting equipments) comply with the following specification and bears CE mark in accordance with the provision of the Electromagnetic Compatibility (EMC) Directive 89/336/EEC.

EN55014-2: 1997 A1:2001, EN61000-4-2: 1995; EN61000-4-3:2002;

EN61000-4-4: 1995; EN61000-4-5: 1995, EN61000-4-6:1996,

EN61000-4-11: 1994.

2C

&

## **Harmonized Standard**

EN60598-1: 2000+ALL:2000+A12:2002

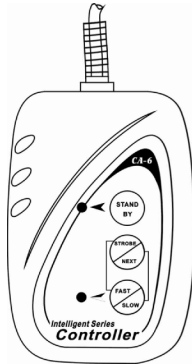
Safety of household and similar electrical appliances

Part 1 : General requirements

### (3). *By easy controller*

The easy remote control is used only in master/slave mode. By connecting to the 1/4" microphone jack of the first unit, you will find that the remote control on the first unit will control all the other units for Stand by, Strobe/Next and Fast/Slow function.

1. **STAND BY** : stand by and blackout all the unit.
2. **STROBE/NEXT** : press the button and keep pressed up , when the unit is in fast mode, it will strobe by sound. If the unit in slow mode, you can select the next color and gobo. It will change ten colors and then change one gobo.
3. **FAST/SLOW** : when the led light off, it is in FAST mode. The unit movement by sound activation. If the led light on, it is in SLOW mode, the unit movement slowly.



## INDEX

### A. GENERAL INSTRUCTIONS

### B. MAIN FEATURES

### C. LAMP

### D. HOW TO CONTROL THE UNIT

- (1) By universal DMX controller
- (2) Preprogrammed function
- (3) By easy controller

### E. FIXTURE CLEANING

## E. FIXTURE CLEANING

The cleaning of internal and external optical lenses and/or mirrors must be carried out periodically to optimize light output. Cleaning frequency depends on the environment in which the fixture operates: damp, smoky or particularly dirty surrounding can cause greater accumulation of dirt on the unit's optics.

- Clean with a soft cloth using normal glass cleaning products.
- Always dry the parts carefully.
- Clean the external optics at least once every 20 days. Clean the internal optics at least every 30/60 days.

For further requirements, contact the nearest authorized technical assistance center

# A. GENERAL INSTRUCTIONS

The following points are important for safety as well as for the smooth installation and performance of the unit.

- Unpack carefully and be sure that no damage has occurred during shipping.
- It is very important to ground the yellow/green conductor in order to meet regulations for safety.
- Do not connect the device to any dimmer pack or power pack.
- The electrical work that is necessary for installation must do by qualified personnel.
- Be sure to locate the unit in a place with adequate ventilation at least 15 cm from the walls. Be sure that no ventilation slots are blocked.
- Be careful that no liquids or other objects can enter the unit. If this ever happens, disconnect the main power immediately.
- In the event of serious operating problems, turn off the unit immediately. Never try to repair the unit yourself. Repairs carried out by non-qualified personnel can lead to serious damage or malfunction. Please contact your dealer about authorized technical assistance. Always use genuine spare parts.
- Occasional breaks are necessary to prevent breakdowns. This unit is not designed to be used non-stop.
- Always remember to unplug the unit from the mains power before any service is done.
- Please recycle the packaging.

- Start the address
  1. Select the channels of DMX controller
  2. Dip switches

| Dip   | #1 | #2 | #3 | #4 | #5 | #6 | #7 | #8  | #9  |
|-------|----|----|----|----|----|----|----|-----|-----|
| Value | 1  | 2  | 4  | 8  | 16 | 32 | 64 | 128 | 256 |

- Examples:
  - Channel 1 : dip / on : #1 (=1)
  - Channel 4 : dip / on : #3 (=4)
  - Channel 7 : dip / on : #1, #2, #3 (1+2+3=7)
  - Channel 10 : dip / on : #2, #4 (2+8=10)

**(2). Preprogram functions**

- The unit can be linked together as master/slave in 2 or 4 channels and run by built in preprogrammed chase sequences by sound activation. When sound stops, all the lights will shut down (blackout) immediately and then the bulb will turn off 15 seconds later. Please refer to the unit dipswitch-setting table for how to set the dipswitches to achieve master/slave linking.
- In master/slave mode, the dipswitch 10 must be on of the master unit.

| 2-Channels dip switches setting |   |
|---------------------------------|---|
| Master                          | ↓ <input type="checkbox"/> <input type="checkbox"/> <input type="checkbox"/> <input type="checkbox"/> <input type="checkbox"/> <input type="checkbox"/> <input type="checkbox"/> <input type="checkbox"/> <input type="checkbox"/> <input type="checkbox"/> <input type="checkbox"/> <input type="checkbox"/> |
| Slave 1                         | ↓ <input type="checkbox"/> <input type="checkbox"/> <input type="checkbox"/> <input type="checkbox"/> <input type="checkbox"/> <input type="checkbox"/> <input type="checkbox"/> <input type="checkbox"/> <input type="checkbox"/> <input type="checkbox"/> <input type="checkbox"/> <input type="checkbox"/> |

| 4-Channels dip switches setting |   |
|---------------------------------|---|
| Master                          | ↓ <input type="checkbox"/> <input type="checkbox"/> <input type="checkbox"/> <input type="checkbox"/> <input type="checkbox"/> <input type="checkbox"/> <input type="checkbox"/> <input type="checkbox"/> <input type="checkbox"/> <input type="checkbox"/> <input type="checkbox"/> <input type="checkbox"/> |
| Slave 1                         | ↓ <input type="checkbox"/> <input type="checkbox"/> <input type="checkbox"/> <input type="checkbox"/> <input type="checkbox"/> <input type="checkbox"/> <input type="checkbox"/> <input type="checkbox"/> <input type="checkbox"/> <input type="checkbox"/> <input type="checkbox"/> <input type="checkbox"/> |
| Slave 2                         | ↓ <input type="checkbox"/> <input type="checkbox"/> <input type="checkbox"/> <input type="checkbox"/> <input type="checkbox"/> <input type="checkbox"/> <input type="checkbox"/> <input type="checkbox"/> <input type="checkbox"/> <input type="checkbox"/> <input type="checkbox"/> <input type="checkbox"/> |
| Slave 3                         | ↓ <input type="checkbox"/> <input type="checkbox"/> <input type="checkbox"/> <input type="checkbox"/> <input type="checkbox"/> <input type="checkbox"/> <input type="checkbox"/> <input type="checkbox"/> <input type="checkbox"/> <input type="checkbox"/> <input type="checkbox"/> <input type="checkbox"/> |

4C



## C. LAMP

EFP 12V 100W

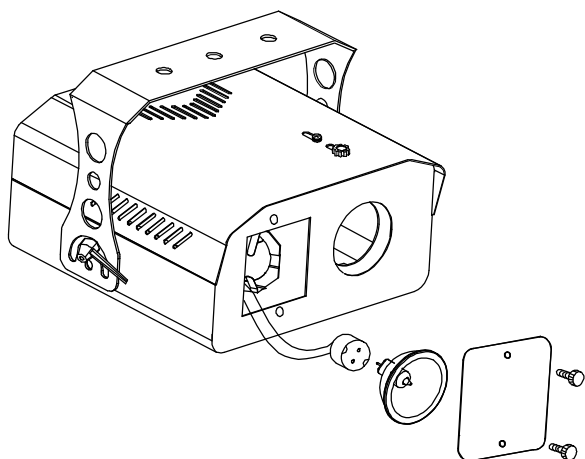
JCR 15V 150W

ELC 24V 250W

- Always switch off the main supply and never handle the lamp or luminaire when it is hot.
- Do not touch the bulb with bare hands. If this does happen, clean the lamp with denatured alcohol and wipe with a lint free cloth before installing.
- Remember always replace with the same type lamp.

### • How to change the lamp

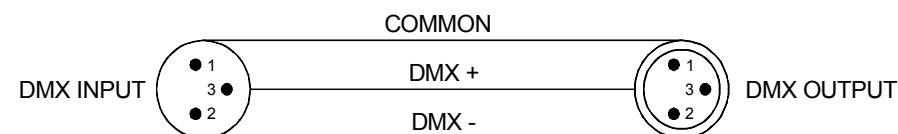
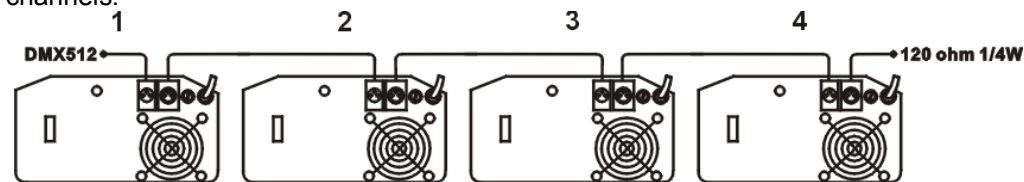
1. Loosen the screw on the door located on front of the unit
2. Remove the door.
3. Remove and replace the bulb.
4. Reassemble.



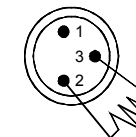
## D. HOW TO CONTROL THE UNIT

### (1). By universal DMX controller

The DMX512 is widely used in intelligent lighting control, with a maximum of 512 channels.



Termination reduces signal errors and to avoid signal transmission problems and interference. It is always advisable to connect a DMX terminal. (Resistance 120 ohm 1/4W) between pin2 (DMX-) and pin3 (DMX+) of the last fixture.



6C

- A DMX512 system requires a controller, lighting equipment and cable. These are connected together in a “daisy chain” with the terminator at the end. The cable cannot be branched or split to a “Y” cable.
- The terminator requires a 90-120 Ohm 1/4 Watt resistor soldered between two signal cables.
- The DMX512 uses a very high-speed signal. Inadequate or damaged cables, bad solder joints or corroded connectors can easily distort the signal and shut down the system. A reliable DMX512 system starts with good quality cables.
- Each lighting unit needs to have an address set to receive the data sent by the controller. The address number is between 0-511 (usually 0 & 1 are equal to 1).
- The end of the DMX512 system should be terminated to reduce signal errors.
- 3 pin XLR connectors are more popular than 5 pin XLR.

3 pin XLR: Pin 1: GND, Pin 2: Negative signal (-), Pin 3: Positive signal (+)

5 pin XLR: Pin 1: GND, Pin 2: Negative signal (-), Pin 3: Positive signal (+)